

SPECIFICATION

HPL- H77X X 1 BA

1W LED

Lens & Assembly Type :

N : No special Work
S : with Star
A : Lens 25°
B : Lens 45°
L : Lens 120°
P : Lens 100°/50°
G : Star & Lens 25°
H : Star & Lens 45°
F : Star & Lens 120°
U : Star & Lens 100°/50°

Color :

R : Red
G : Green
B : Blue
A : Amber
O : Orange
D : Royal Blue

Caution:

Depends on different chips structures, the thermal pad could has a polarity as Anode. To avoid the risk of circuit-fail, **It is strongly recommended to suppose the condition (Anode – thermal pad)** while designing a circuit.

Part Number Matrix

Without Star:

Colors / Type	Flat Type	Lens 25°	Lens 45°	Lens 120°	Lens 100°/50°
Red	HPL-H77NR1BA	HPL-H77AR1BA	HPL-H77BR1BA	HPL-H77LR1BA	HPL-H77PR1BA
Green	HPL-H77NG1BA	HPL-H77AG1BA	HPL-H77BG1BA	HPL-H77LG1BA	HPL-H77PG1BA
Blue	HPL-H77NB1BA	HPL-H77AB1BA	HPL-H77BB1BA	HPL-H77LB1BA	HPL-H77PB1BA
Amber	HPL-H77NA1BA	HPL-H77AA1BA	HPL-H77BA1BA	HPL-H77LA1BA	HPL-H77PA1BA
Orange	HPL-H77NO1BA	HPL-H77AO1BA	HPL-H77BO1BA	HPL-H77LO1BA	HPL-H77PO1BA
Royal Blue	HPL-H77ND1BA	HPL-H77AD1BA	HPL-H77BD1BA	HPL-H77LD1BA	HPL-H77PD1BA

With Star:

Colors / Type	Star & Flat Type	Star & Lens 25°	Star & Lens 45°	Star & Lens 120°	Star & Lens 100°/50°
Red	HPL-H77SR1BA	HPL-H77GR1BA	HPL-H77HR1BA	HPL-H77FR1BA	HPL-H77UR1BA
Green	HPL-H77SG1BA	HPL-H77GG1BA	HPL-H77HG1BA	HPL-H77FG1BA	HPL-H77UG1BA
Blue	HPL-H77SB1BA	HPL-H77GB1BA	HPL-H77HB1BA	HPL-H77FB1BA	HPL-H77UB1BA
Amber	HPL-H77SA1BA	HPL-H77GA1BA	HPL-H77HA1BA	HPL-H77FA1BA	HPL-H77UA1BA
Orange	HPL-H77SO1BA	HPL-H77GO1BA	HPL-H77HO1BA	HPL-H77FO1BA	HPL-H77UO1BA
Royal Blue	HPL-H77SD1BA	HPL-H77GD1BA	HPL-H77HD1BA	HPL-H77FD1BA	HPL-H77UD1BA

1. Features

- Dimension : 7.0mm(L)×7.0mm(W)
- 1W High Flux type
- All Metal Design Cu PCB/Al reflector
- Low thermal resistance
- The InGaN or AlInGaP Chip inside

2. Applications

- Traffic signaling
- Interior & exterior automotive lighting
- Decorative and landscape lighting
- Signage and channel letter
- Portable light source
- Decorating and entertainment lighting
- Architectural lighting
- Street lighting



3. Absolute Maximum Ratings

(T_j=25°C)

Parameter		Symbol	Rating	Unit
Power Dissipation	Red	P	0.9	W
	Green		1.3	
	Blue & Royal Blue		1.3	
	Amber		0.9	
	Orange		0.9	
Forward Current		I _F	350	mA
Forward Pulse Current (1/10 Duty Cycle, 400msec Pulse Width)		I _{FP}	500	mA
Thermal Resistance, Junction-Case		R _{th, J-C1}	10	°C/W
Reverse Voltage		V _R	5	V
LED Junction Temperature		T _j	125	°C
Operating Temperature Range		T _{opr}	-40°C to + 80°C	
Storage Temperature Range		T _{stg}	-40°C to + 120°C	
Soldering Condition		T _{sol}	260°C For 5 Seconds	

Note: 1. The thermal resistance value is measured with MCPCB (Star).

4. Initial Electrical/Optical Characteristics

• Forward Voltage

(T_j=25°C)

Color	Forward Voltage					
	Symbol	MIN.	TYP.	MAX.	Test Condition	Unit
Red→R	V _F	1.83	2.5	3.03	I _F = 350mA	V
Green→G		3.03	3.7	4.23		
Blue→B, Royal Blue→D		3.03	3.7	4.23		
Amber→A		1.83	2.5	3.03		
Orange→O		1.83	2.5	3.03		

• Reverse Current

(T_j=25°C)

Color	Reverse Current					
	Symbol	MIN.	TYP.	MAX.	Test Condition	Unit
ALL COLORS	I _R	-	-	100	V _R = 5V	μA

● **Luminous Flux** (Tj=25°C)

Color	Luminous Flux (With Lens type / Flat type)					
	Symbol	MIN.	TYP.	MAX.	Test Condition	Unit
Red→R	Φ_V	-	40/30	43/33	IF = 350mA	lm
Green→G		-	68/50	75/52		
Blue→B		-	16/10	17/11		
Amber→A		-	52/31	56/32		
Orange→O		-	56/35	60/43		

● **Radiometric Flux** (Tj=25°C)

Color	Radiometric Flux (With Lens type / Flat type)					
	Symbol	MIN.	TYP.	MAX.	Test Condition	Unit
Royal Blue→D	Φ_e	-	200/180	-	I _F = 350mA	mW

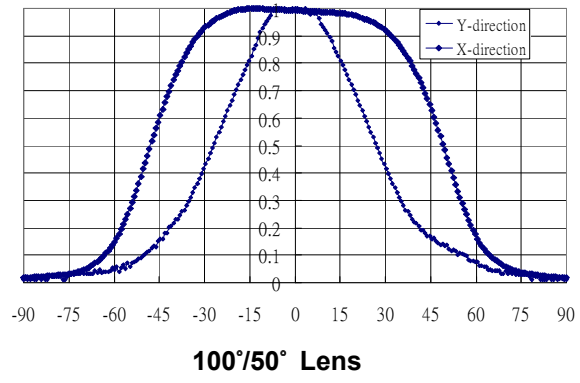
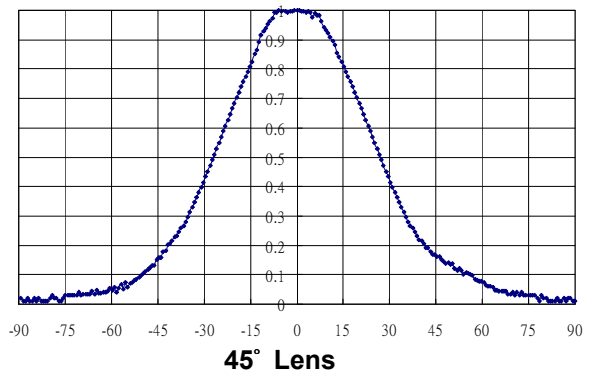
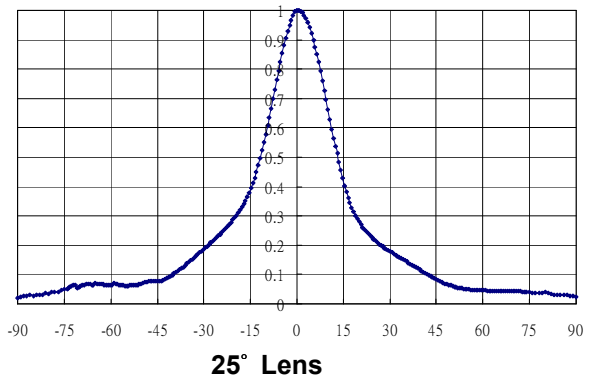
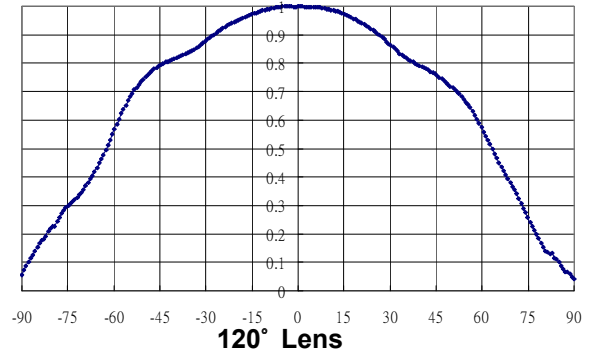
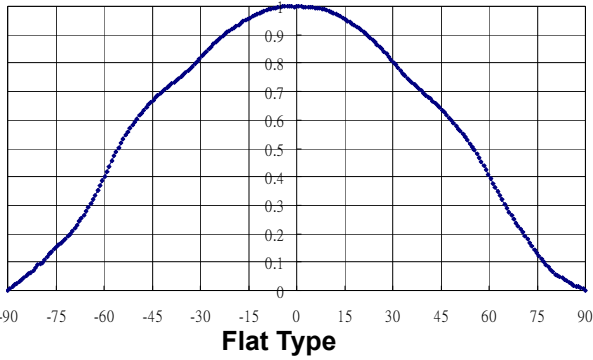
● **Dominate wavelength & Peak wavelength** (Tj=25°C)

Color	Color Temperature & Dominate Wavelength					
	Symbol	MIN.	TYP.	MAX.	Test Condition	Unit
Red→R	λ_d	620	-	630	IF = 350mA	nm
Green→G		520	-	550		
Blue→B		460	-	490		
Amber→A		584.5	-	597		
Orange→O		610	-	620		
Royal Blue→D	λ_p	440		460		

● **View Angle** (Tj=25°C)

Color	Viewing Angle							
	Symbol	Flat type	120° Lens	25° Lens	45° Lens	100°/50° Lens	Test Condition	Unit
ALL COLORS	2 $\theta_{1/2}$	110°	120°	25°	45°	100°/50°	I _F = 350mA	Deg.

- **Typical Radiation Pattern**



● Spectra half-width

(T_j=25°C)

Color	Spectra half-width					
	Symbol	MIN.	TYP.	MAX.	Test Condition	Unit
Red→R	Δλ	-	20	-	I _F = 350mA	nm
Green→G		-	30	-		
Blue→B		-	30	-		
Amber→A		-	15	-		
Orange→O		-	18	-		
Royal Blue→D		-	30	-		

● Bin Code List for Reference

(@ I_F=350mA, T_j=25°C)

Forward Voltage Bins

Item	Bin Code	Symbol	Condition	Min.	Max.	Unit
Forward Voltage Color: R,A,O	C	V _F	I _F = 350 [mA]	1.83	2.07	V
	D			2.07	2.31	
	E			2.31	2.55	
	F			2.55	2.79	
	G			2.79	3.03	
Forward Voltage Color: G,B,D	H			3.03	3.27	
	J			3.27	3.51	
	K			3.51	3.75	
	L			3.75	3.99	
	M			3.99	4.23	

Note: Forward voltage measurement allowance is ± 0.1V.

Royal Blue Wavelength Bins

(@ I_F=350mA, T_j=25°C)

Name	Code	λ _p Max (nm)	λ _p Min (nm)
Royal Blue	D0	440	445
	D1	445	450
	D2	450	455
	D3	455	460

Note: Wavelength measurement allowance is ± 2nm

RGBA0 Wavelength Bins

Name	Code	λ_d Max(nm)	λ_d Min(nm)
Blue	B1	460	465
	B2	465	470
	B3	470	475
	B4	475	480
	B5	480	485
	B6	485	490
Cyan	C1	490	495
	C2	495	500
	C3	500	505
	C4	505	510
	C5	510	515
Green	G1	515	520
	G2	520	525
	G3	525	530
	G4	530	535
	G5	535	540
	G6	540	545
	G7	545	550

(@ $I_F=350mA, T_j=25^\circ C$)

Name	Code	λ_d Max(nm)	λ_d Min(nm)
Amber	A1	584.5	587.0
	A2	587.0	589.5
	A4	589.5	592.0
	A6	592.0	594.5
	A7	594.5	597.0
Red & Orange	R1	605	610
	R2	610	615
	R3	615	620
	R4	620	625
	R5	625	630
	R6	630	635
	R7	635	640

Note: Wavelength measurement allowance is $\pm 2nm$

Radiometric Flux Bins Map (Royal Blue)

Bin Code	Min. (mW)	Max.(mW)
0	0	10
1	10	20
2	20	30
3	30	40
4	40	50
5	50	75
6	75	100
7	100	125
8	125	150
9	150	175

(@ $I_F=350mA, T_j=25^\circ C$)

Bin Code	Min. (mW)	Max.(mW)
A	175	225
B	225	275
C	275	350
D	350	425
E	425	500
F	500	600
G	600	700
H	700	800
J	800	900
K	900	1000

Luminous Flux Bins Map (RGBA0)

(@ I_F=350mA, T_j=25°C)

BIN CODE	MIN (Lm)	MAX (Lm)
A	8.2	10.7
B	10.7	13.9
C	13.9	18.1
D	18.1	23.5
E	23.5	30
F	30	40
G	40	50
H	50	60
J	60	70
K	70	80
L	80	90
M	90	100
N	100	120
P	120	140

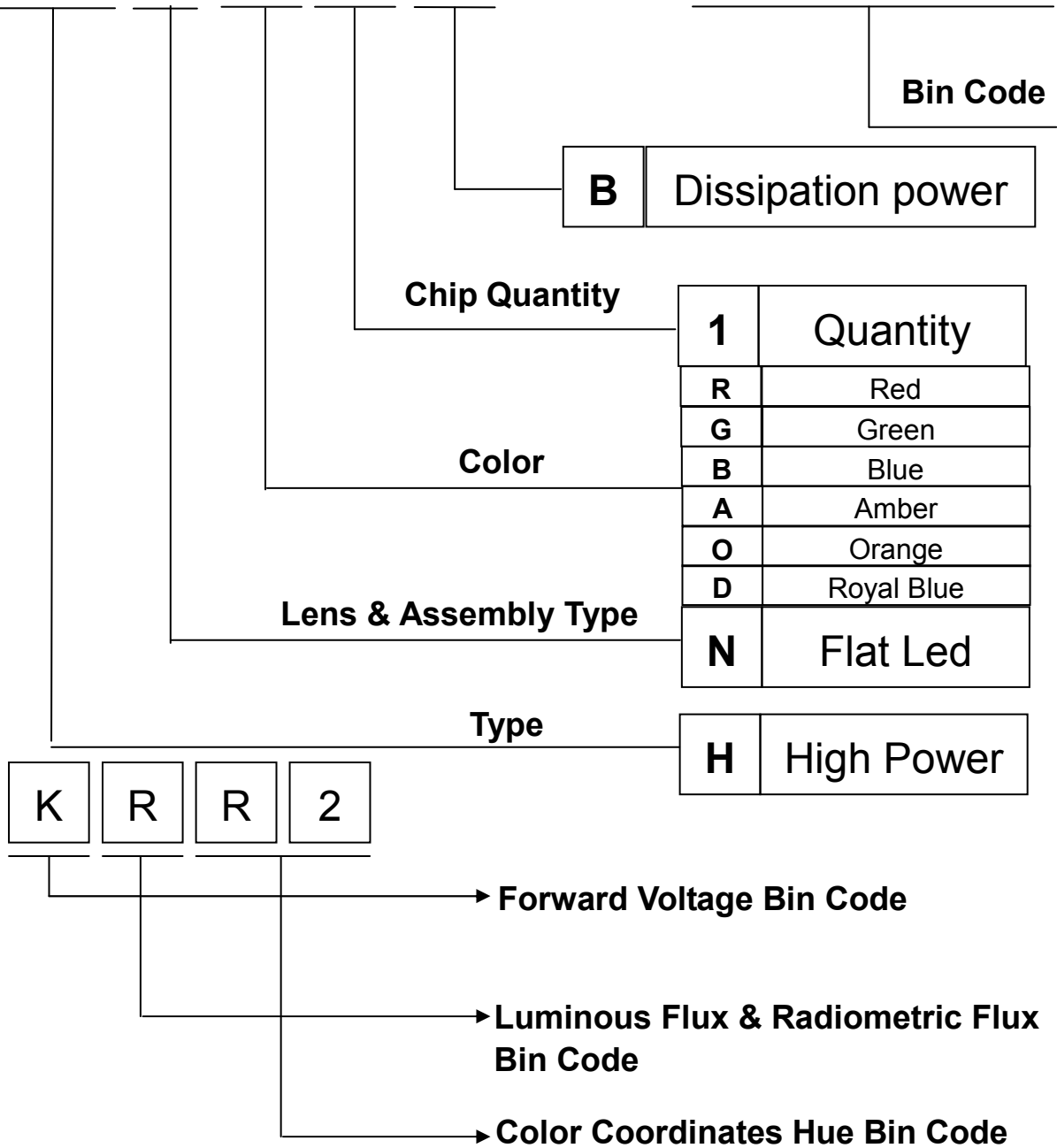
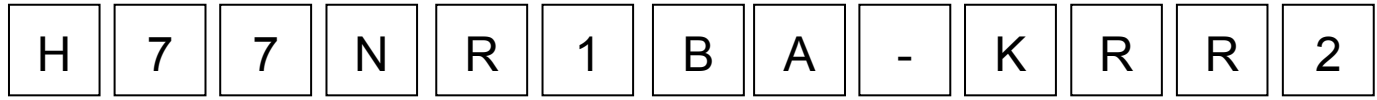
BIN CODE	MIN (Lm)	MAX (Lm)
Q	140	160
R	160	180
S	180	200
T	200	220
U	220	240
V	240	260
W	260	280
X	280	300
Y	300	350
1	350	400
2	400	450
3	450	500
4	500	550
5	550	600

Note: 1.Luminous flux measurement allowance is ± 10%.

2.Radiometric Flux measurement allowance is ± 10%.

5. Part Number

Formation



6. Characteristic Diagrams

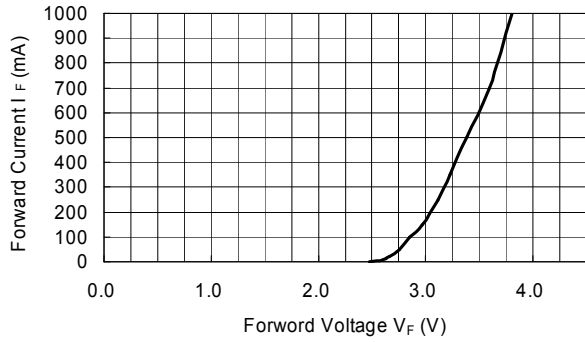


Fig. 1-A Forward Current vs. Forward Voltage:
Blue/ Green/ Royal Blue colors

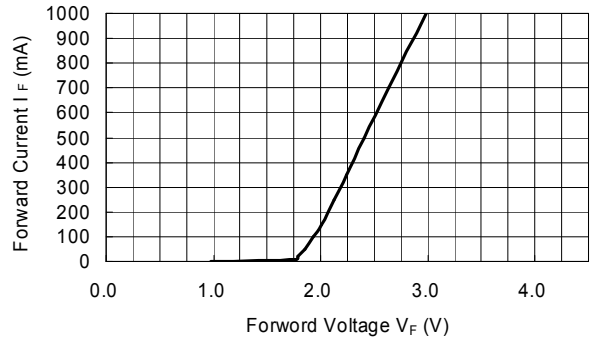


Fig. 1-B Forward Current vs. Forward Voltage:
Red/ Amber/ Orange colors

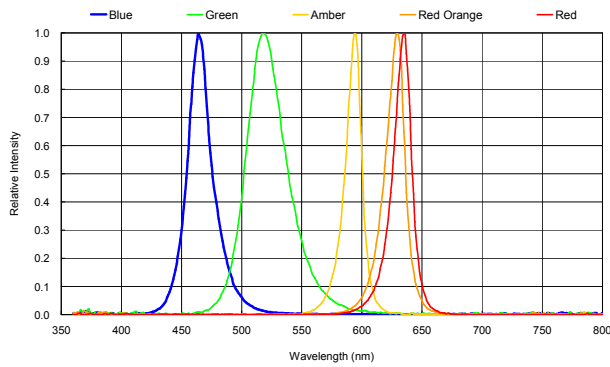


Fig. 2-C Relative Intensity vs. Wavelength:
Single Color

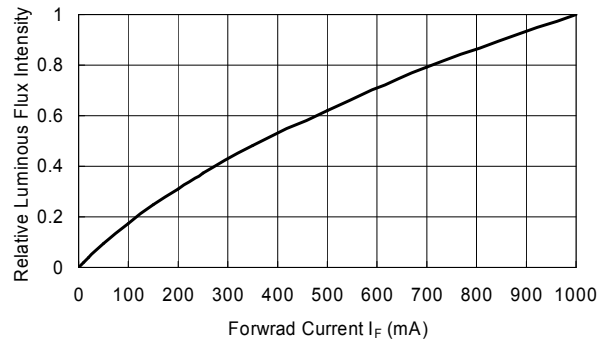
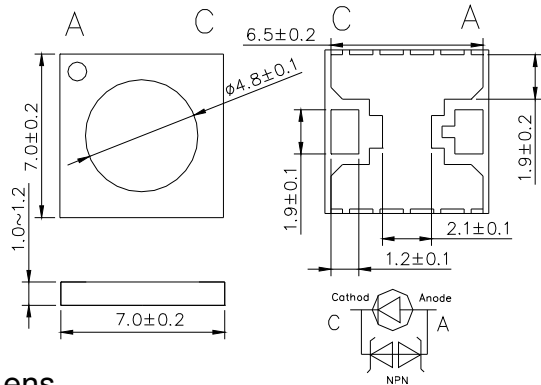


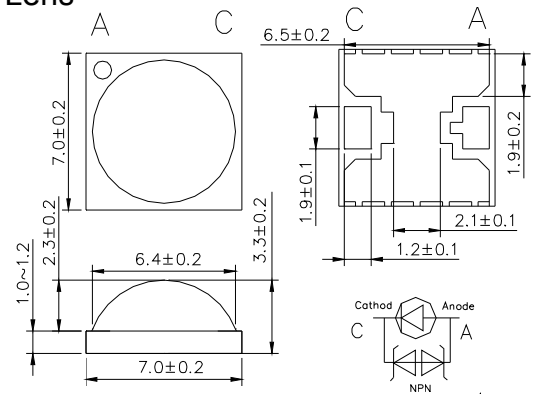
Fig. 3 Relative Intensity VS Forward Current

7. Outline Dimensions (Unit: mm)

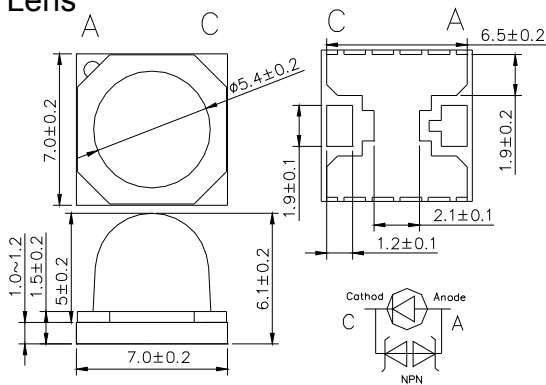
Flat Type



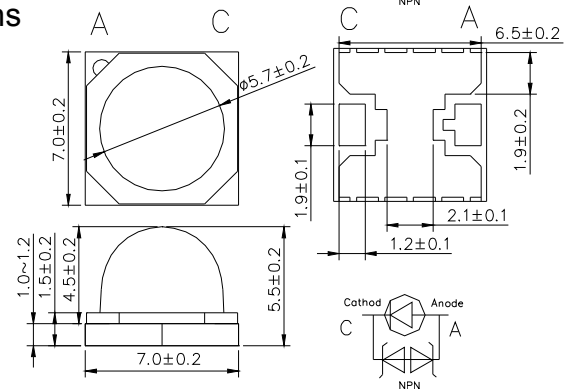
120° Lens



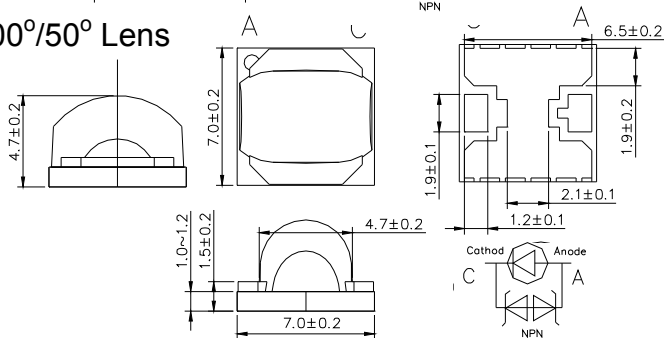
25° Lens



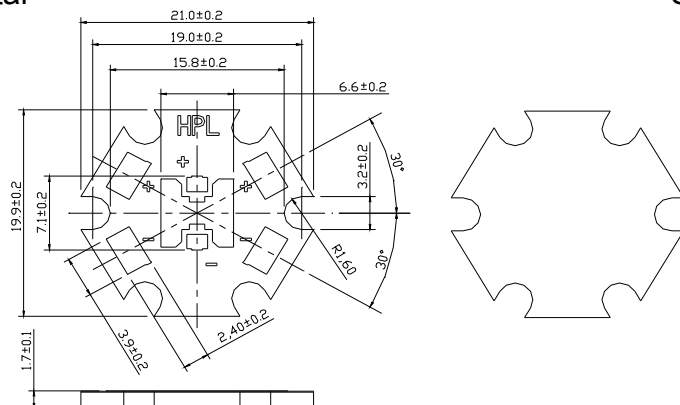
45° Lens



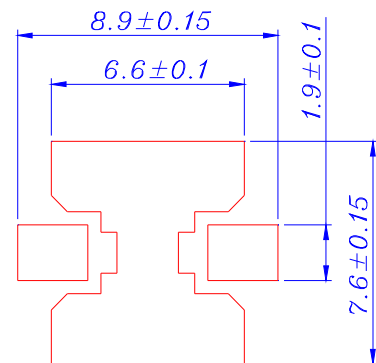
100°/50° Lens



Star



Solder Pad Note: See the caution area

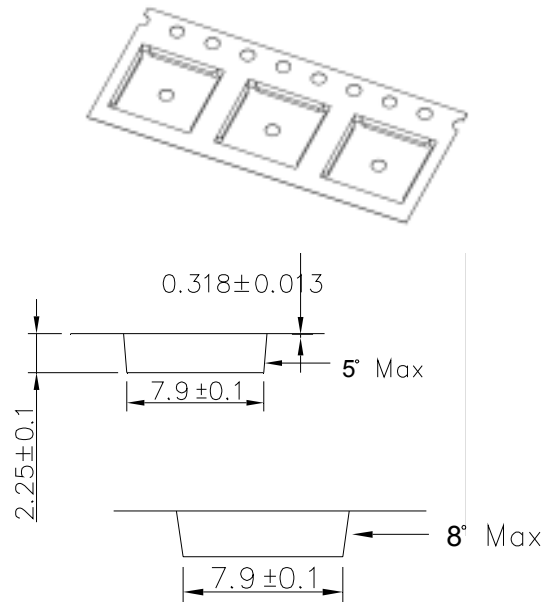
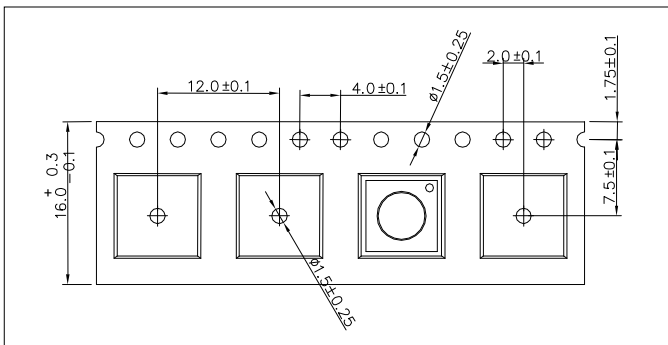


8. Shipping Package Unit : mm

(1) Tapping Dimension Packaging Specification

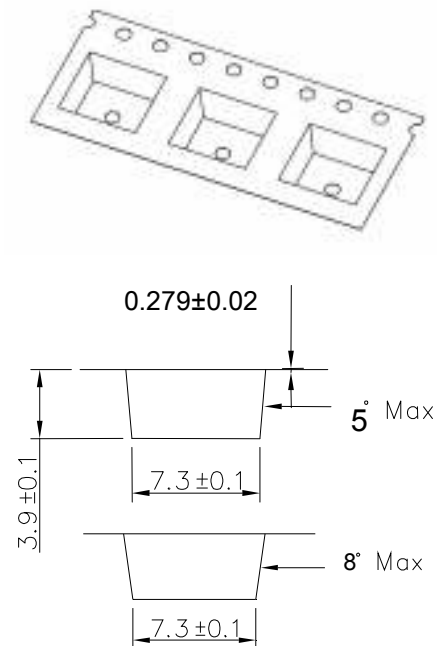
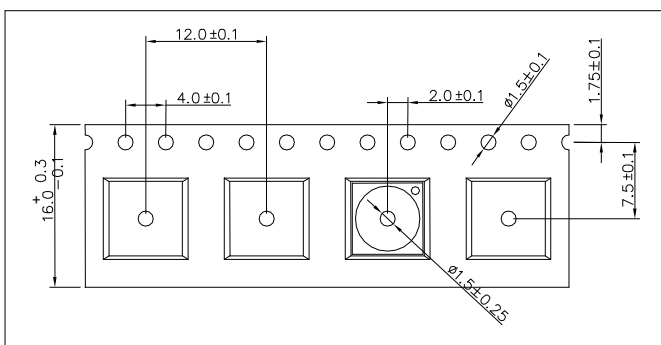
- Flat Type :

- Moisture proof bag.
- 1 Reel/bag.
- Q'ty: 500(MAX)/Reel.



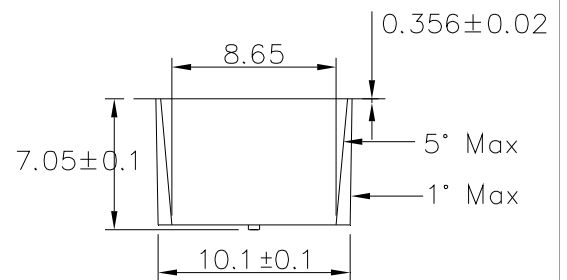
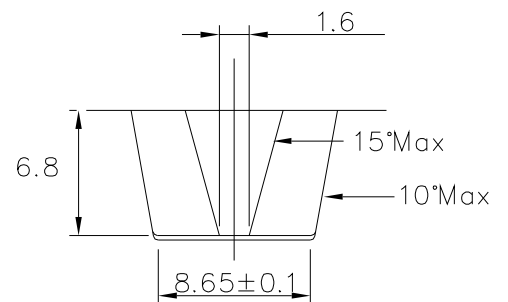
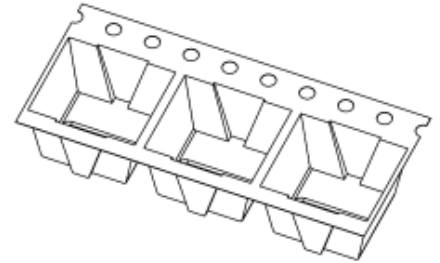
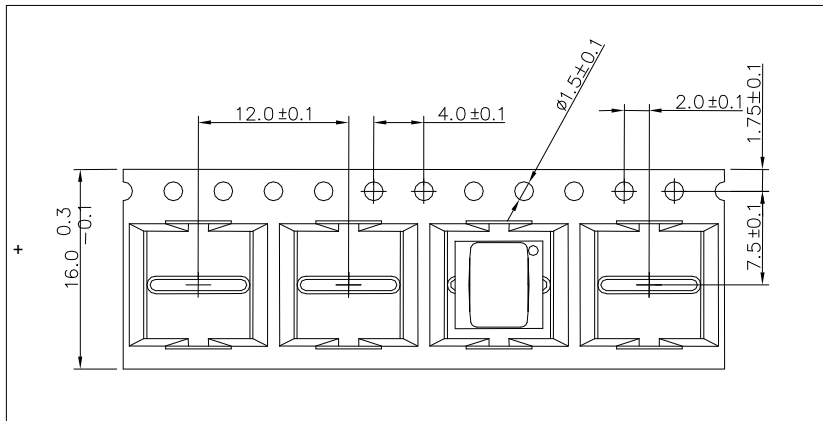
- With 120 degree Lens:

- Moisture proof bag.
- 1 Reel/bag.
- Q'ty: 200(MAX)/Reel.



● **With 45, 100/50 degree Lens:**

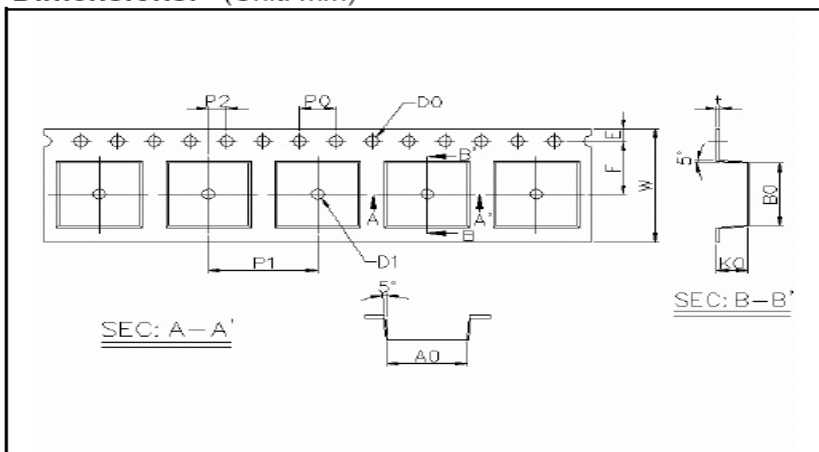
- Moisture proof bag.
- 1 Reel/bag.
- Q'ty: 150(MAX)/Reel.



● **With 25 degree Lens & Special Shipping:**

- Moisture proof bag.
- 1 Reel/bag.
- Q'ty: 150(MAX)/Reel.

Dimensions. (Unit: mm)



Item	Specification	Tol (+/-)
W	16.00	± 0.30
E	1.75	± 0.10
F	7.50	± 0.10
D0	1.50	+0.10, 0
D1	1.50	+0.10, 0
P0	4.00	± 0.10
P1	12.00	± 0.10
P2	2.00	± 0.10
P0x10	40.00	± 0.20

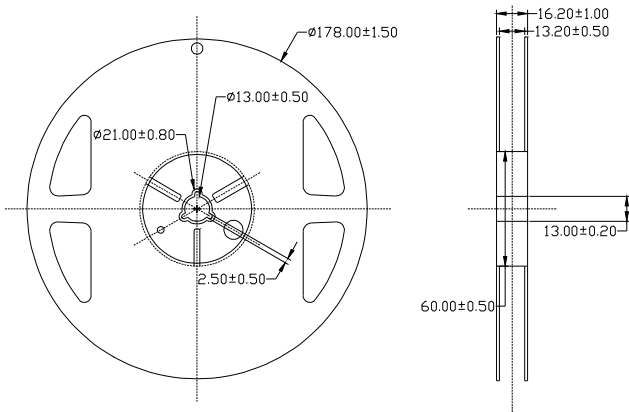
I	0.35	± 0.05
A0	7.60	± 0.10
B0	7.60	± 0.10
KQ	5.30	± 0.10

(2)

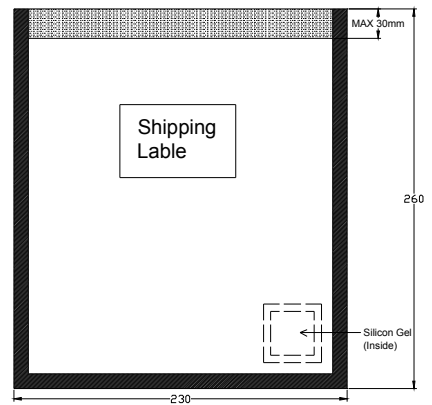
Box Type	Dimensions (mm)	Reel/Box
Small Box (S)	230 × 85 × 265	4 Reel/Box
Middle Box (M)	470 × 265 × 270	24 Reel/Box
Large Box (L)	470 × 435 × 270	40 Reel/Box

Reel Packaging Unit: mm

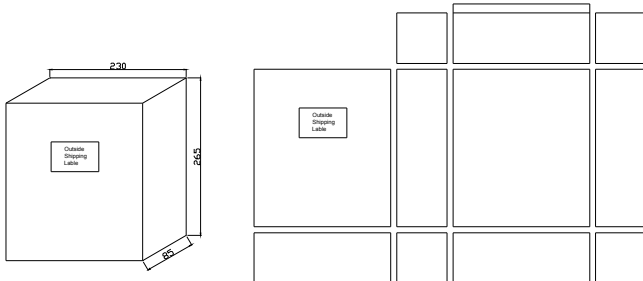
Reel



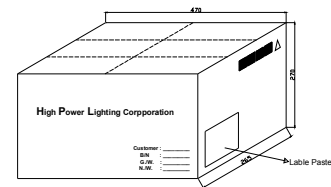
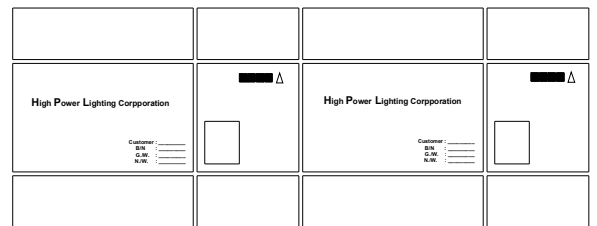
Anti Static Bag



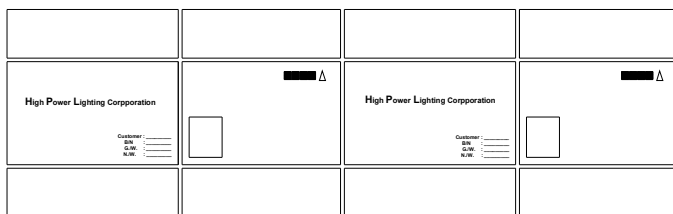
Inside Small



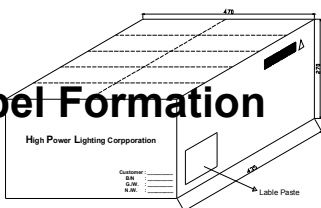
Middle Box




Large Box (Carton)



Label Formation




Carton Label

P/N : HPL-###-####-#		
Date : 29-11-2005		
Q'ty : 150000pcs	Reel's Q'ty : 30 reels	
Customer :	OQC Stamp :	
High Power Lighting Corporation (Taiwan)		

100mm

Reel Label

	
P/N : HPL-###-####-#	BIN Rank : A2B
Lot : T051129001	Q'ty : 5000pcs
XXX	
High Power Lighting Corporation (Taiwan)	

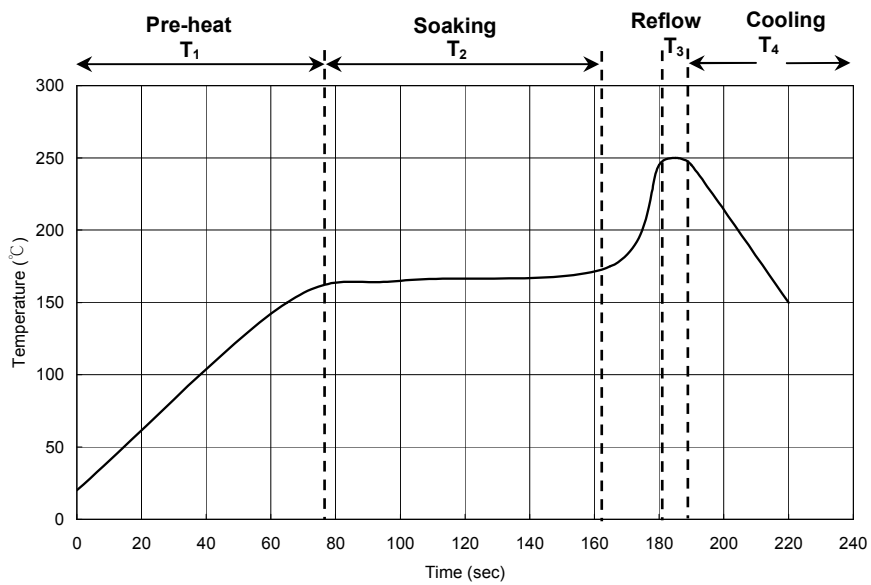
40mm

70mm

80mm

9. Recommended Solder Profile

Soldering



Recommended soldering conditions:

T ₁	Ramp up rate	1.0 ~ 3.0 °C/sec
	Pre-heat time	50 ~ 80 sec
T ₂	Soaking temperature	155 ~ 185 °C
	Dwell time during soaking	60 ~ 120 sec
T ₃	Reflow temperature	240 ~ 250 °C
	Reflow time	Max 10 sec
	Ramp up rate during reflow	1.2 ~ 2.3 °C/sec
T ₄	Cooling	1.0 ~ 6.0 °C/sec

Note: Suggest using Sn96Ag3Cu0.5 lead free solder.

Cleaning

Use alcohol-based cleaning solvents such as isopropyl alcohol to clean the LED if necessary.