



10.0mm Round Type LED Lamps

PART NO: FYL-10003URC

REV NO: 1.0

PAGE: 1/2

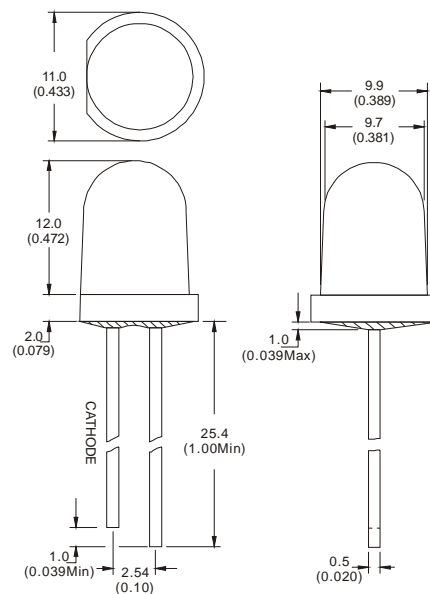
■ Features:

- Super brightness.
- Choice of various viewing angles.
- IC compatible /Low current capability.
- Diffused lens.

■ Descriptions:

- The LED lamps are available with different colors, intensities, epoxy colors etc.

■ Package Dimensions:



NOTES:

1. All dimension are in millimeters (inch).
2. An epoxy meniscus may extend about 1.5mm down to the lead.
3. Tolerances unless dimension  $\pm 0.25$ mm.



## 10.0mm Round Type LED Lamps

PART NO: FYL-10003URC

REV NO: 1.0

PAGE: 2/2

### ■ Chip and Lens Appearance

Part No	Chip	Lens Color
FYL-10003URC	GaAlAs/ DDH super Red	Water Clear

### ■ Absolute Maximum Ratings at Ta=25°C

Parameter	Symbol	Rating	Unit
Forward Current	I <sub>F</sub>	30	mA
Power Dissipation	P <sub>d</sub>	60	mW
Reverse Voltage	V <sub>R</sub>	5	V
Peak Forward Current (Duty 1/10 @1KHZ)	I <sub>PF</sub>	150	mA
Operation Temperature	T <sub>OPR</sub>	-40 to +80	°C
Storage Temperature	T <sub>STG</sub>	-40 to +85	°C
Lead Soldering Temperature	T <sub>SOL</sub>	Max.260±5°C for 3 sec Max. (1.6mm from the base of the epoxy bulb)	°C

### ■ Electronic Optical Characteristics at Ta=25°C

Items	Symbol	Min.	Typ.	Max.	Unit	Condition
Forward Voltage	V <sub>F</sub>	-	1.85	2.20	V	I <sub>F</sub> =20mA
Reverse Current	I <sub>R</sub>	-	-	20	uA	V <sub>R</sub> =5V
Peak Wavelength	λ <sub>P</sub>	-	660	-	nm	I <sub>F</sub> =20mA
Spectrum Line Half width	Δλ	-	20	-	nm	I <sub>F</sub> =20mA
Luminous Intensity	I <sub>V</sub>	-	900	-	mcd	I <sub>F</sub> =20mA
Viewing Angle	2θ 1/2	-	20	-	degree	I <sub>F</sub> =20mA